

Actual Size: 27" x 59" x 40" • (68.58cm x 149.86cm x 101.6cm)

Shipping Size: 30" x 62" x 49" • (76.2cm x 157.5cm x 124.5cm)

Net Weight: 215lbs • (97.5kg)

Shipping Weight: 365lbs • (165.6kg)

Seat Width: 20" • (50.8cm)

Unoccupied Water Capacity: 85gal • (322L)

Occupied Water Capacity: 45-65gal • (170-246L)

Included Features (Soaking)

1. Acrylic shell gloss white finish fiberglass gelcoat reinforced
2. Stainless steel frame with adjustable leveling legs
3. Plastic composite and tempered glass outward swing door with 3 latch gear & shaft mechanism
4. Removable front apron with two access panels
5. One reversible end panel
6. Stainless steel chrome finish wall-mounted grab bar
7. Two 2" 4-port PVC drains with 2 end caps included, 2 overflows, 2 stainless steel operated openers with extended handles in chrome finish

Jetting & Therapy Options

1. Air + Hydro (Digital Controller only , LED Chromatherapy and Light Included)
2. Hydro + Hydro Independent Foot Massage (Push Button only LED Chromatherapy Light Included) * (2)
3. Hydro Massage + Microbubble (Push Button only LED Chromatherapy Light Included)
4. Hydro Massage (Push Button only LED Chromatherapy Light Not Included)
5. Soaking (Push button,Digital Controller, LED Light Included Not Included)



Jetting & Therapy Systems

Hydro Massage

- Hydro Massage Pump 7A 900W
- Intensity Dial Air Control
- Ozone Sterilization 0.04A
- 17 jets (11 Seat Jets 4 Foot 2 Calf Jets)
- In-line Water Heater 6A 800W

Hydro + Hydro Foot Massage * (2)

- 2 Hydro Massage Pumps 5A + 7A
- 2 Intensity Dial Air Controls
- Ozone Sterilization 0.04A
- 17 jets (11 Seat Jets 4 Foot 2 Calf Jets)
- In-Line Water Heater 6A 800W

2 Piece Faucet

- Up 10 16GPM @ 60PSI an ideal in-home plumbing conditions
- Two 5' water supply lines with 3/4" connectors
- Pull out, hand held, chrome plated hand shower with a 5' ft. retractable stainless steel braided hose

Air Massage

- Air Massage Pump 4.5A 500W
- 3 Speed Pump
- Auto-purge (Activates 20 minutes after pump shutdown)
- 16 jets (8 Seat Jets 8 Foot Jets)

Microbubble Therapy

- 1 HP Pump 7.3A
- Pressure Vessel
- On/Off push control
- Agitator Valve

Optional Features

- 1.Heated Seat and Backrest

Note: LED Chromatherapy light .04AMP with On/Off Digital Controller is included with the following dual packages: Hydro + Air, Hydro + Micro, Hydro + Hydro

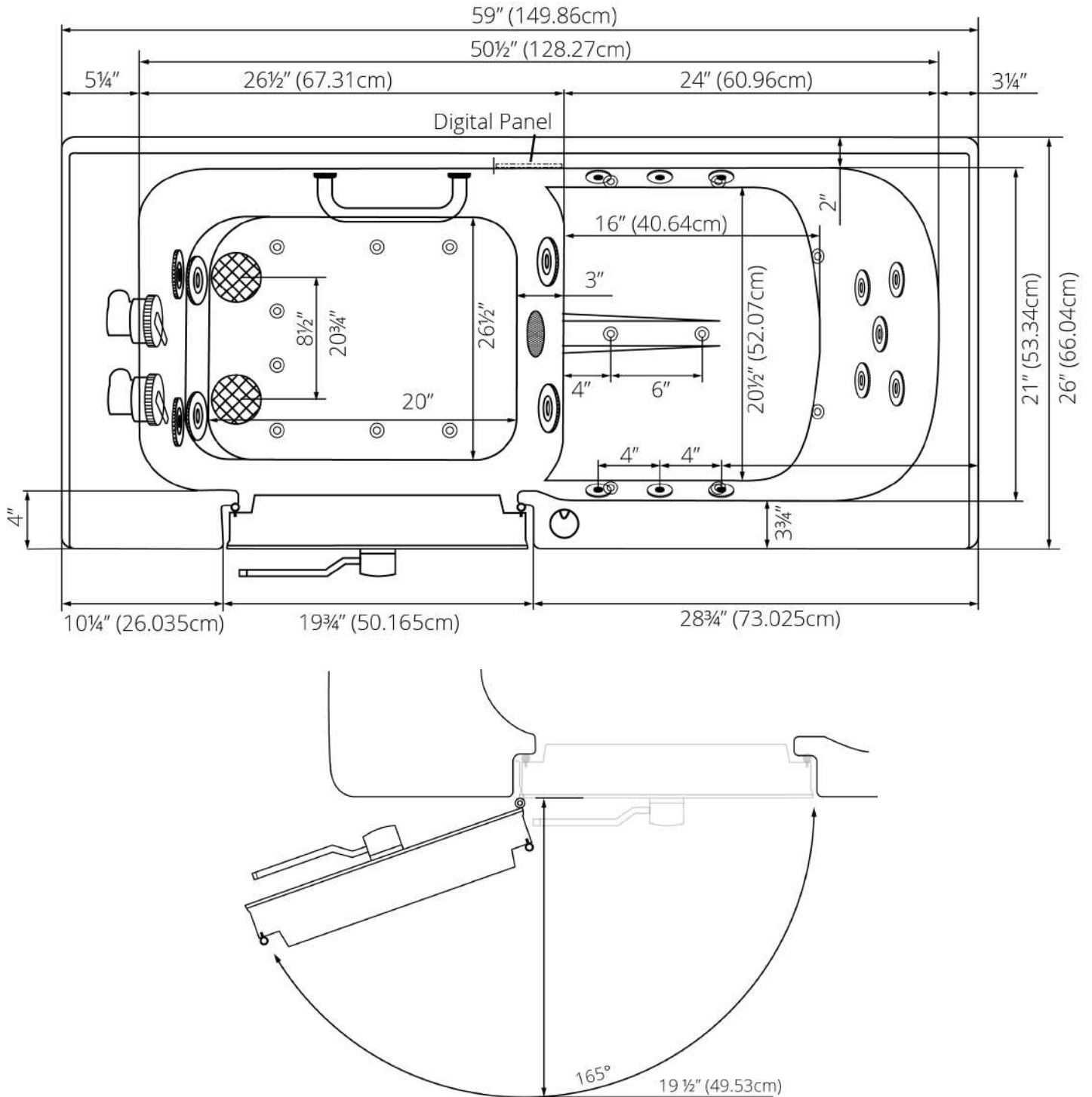
Disclaimer*: AMP value for each pump may change based on availability. Please verify before purchase. (800.480.6850)

Electrical Requirements

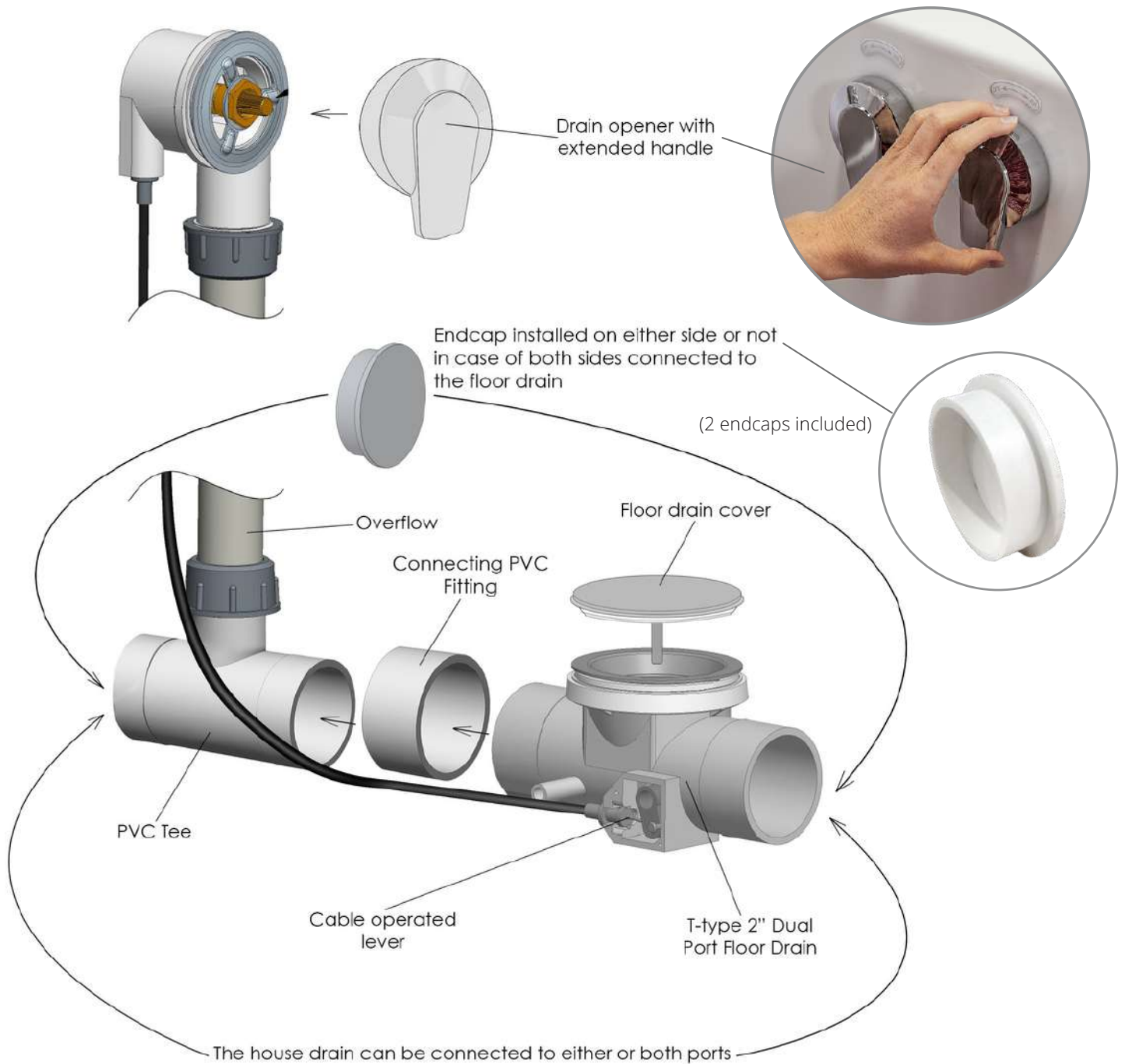
Dedicated GFCI protected electrical line(s)required 110/120V 60Hz

Warranty

- Lifetime limited* warranty on shell, frame, door, and parts to original purchaser/Address
- Labor or installation is not covered - please refer to the Ella warranty certificate
- Non Ella brand faucets covered under manufacturers original warranty



Dual Drain Technology - Two 2 Inch Independent Floor Drains



Two 3/4" connector water supply lines included with Ella Fast Fill Faucets



Connect to Shut
Off Valves
(not included)



All electrical fixtures
connect to a dedicated
GFCI protected outlet.

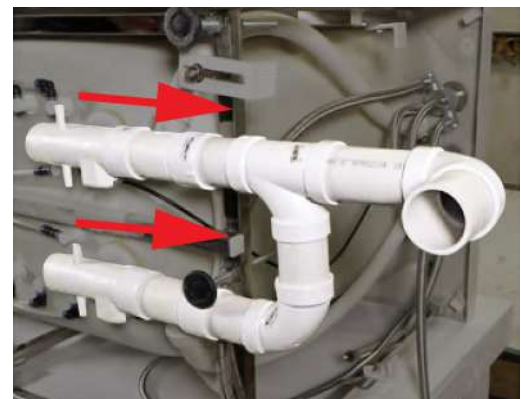
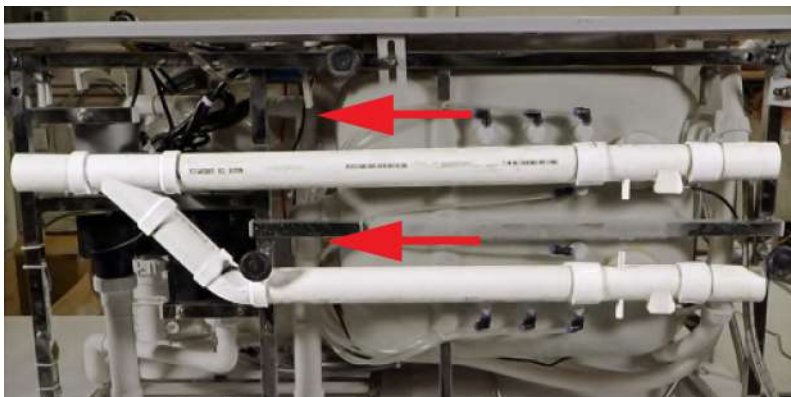


Use a drain cap to close
unused drain port.



T-Type four (4) 2" drain ports
allow for the drain pipe to
be installed in either
direction.

Images below show examples of PVC pipe
connections (not included). Reducers can
be used to connect smaller drain pipes.



Description

Solid brass spout chrome finish single lever high flow bathtub faucet with diverter button Two (2) 3/4" 5' braided stainless- steel supply lines. Pull out hand shower mixer with back-flow prevention valve 5 settings and 5' braided hose in a Chrome or Brushed Nickel finish.

Flow

- Hand shower is limited to 1.9 GPM (7.5L/min)
- Faucet fill rate designed for 16 GPM (68.1L/min)

Cartridge

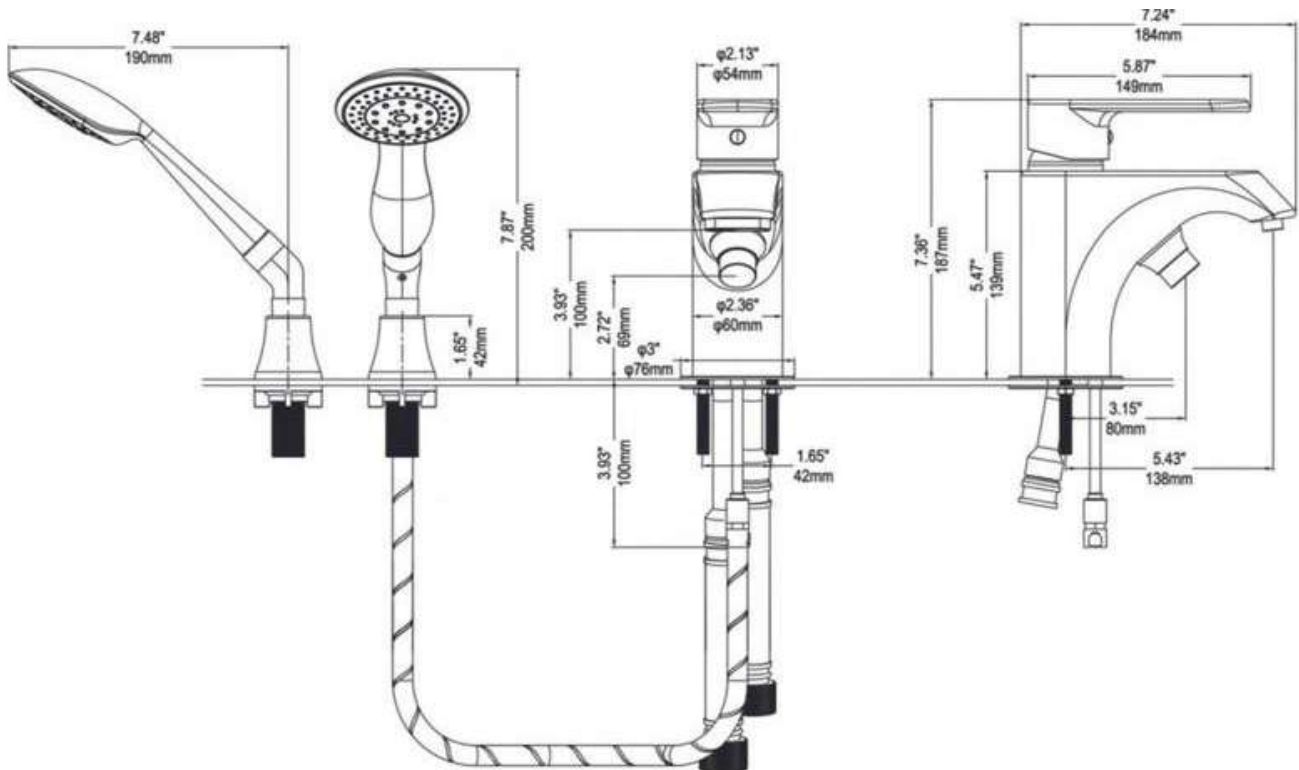
- 40mm high flow cartridge design
- Nonmetallic/nonferrous and stainless-steel material

Standards

- Third party certified to meet: CSA B125.1, ASMEA112.18.1, ICC117.1 and all applicable requirements referenced therein
- Certified to ANSI/NSF 61/9
- ADA for lever/handle
- IAPMO R&T UPC certified

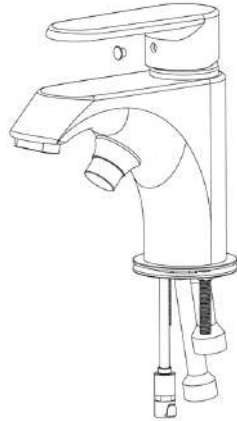


NOTE: This faucet is designed to be installed through 2-1/2" diameter hole for faucet, 1/3" diameter hole for mounting rods, and a 7/8" diagonal hole for the hand shower.



Step-by-step Instructions to replace a valve cartridge for Ella 2-piece faucets.

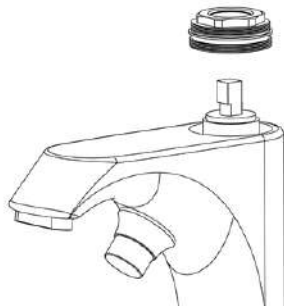
Step.1 Remove the Hot/Cold screw hole cover.



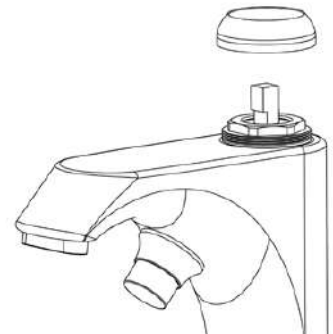
Step.2 Use an Allen wrench to remove the handle Screw.



Step.3 Take out the handle and remove the brass escutcheon



Step.4 Use a wrench to unscrew the pressure cap.



Step.5 Remove the cartridge and replace it with new piece.

